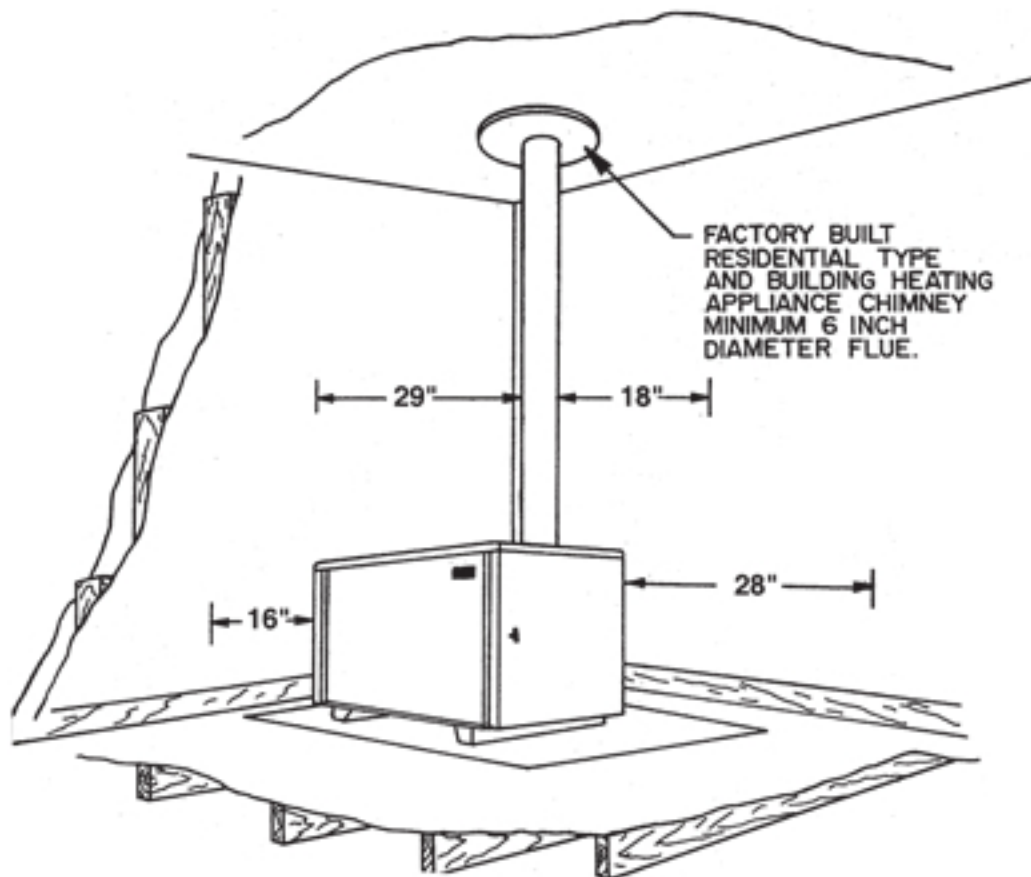
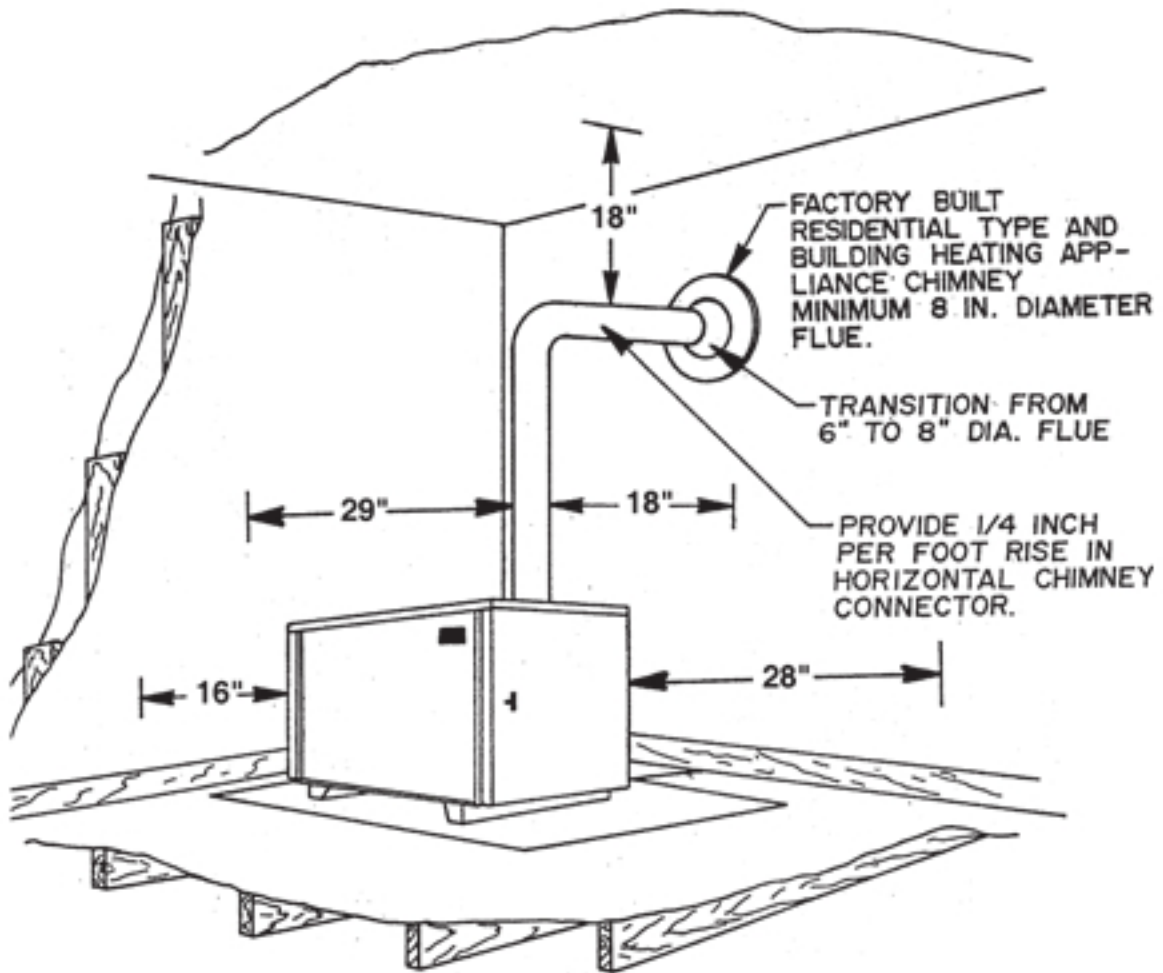
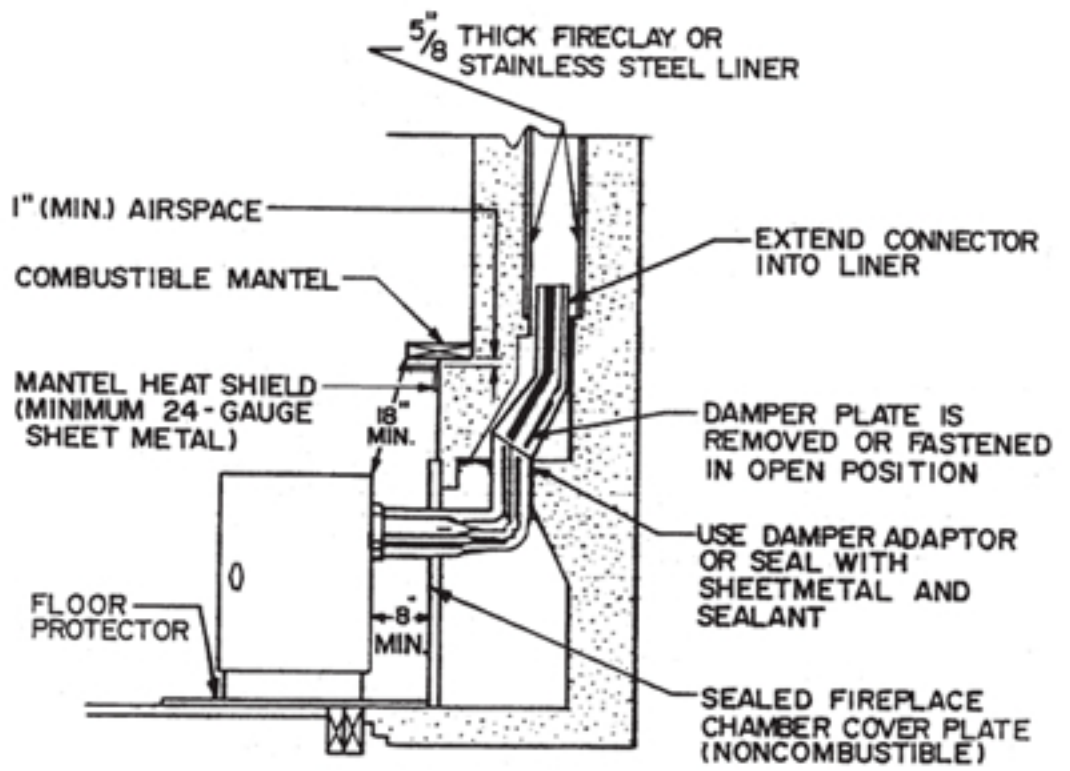
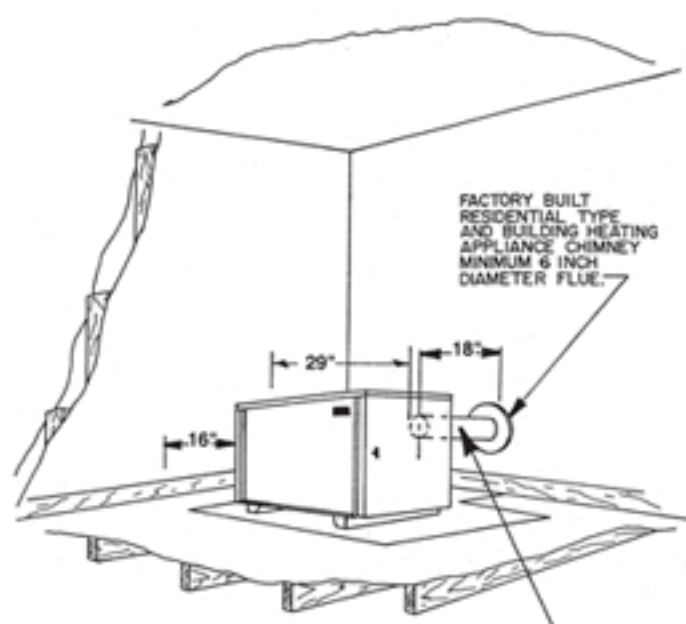


# BEC95 Clearance to Combustibles



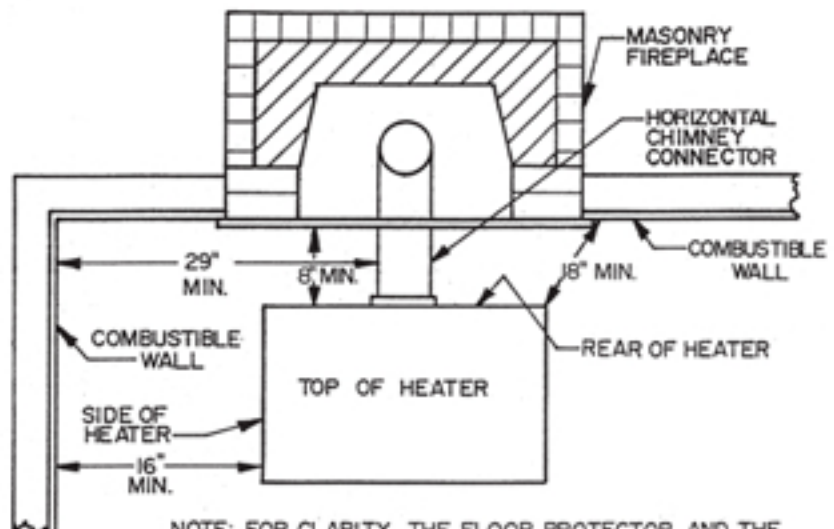


**SIDE SECTION VIEW**



FACTORY BUILT RESIDENTIAL TYPE AND BUILDING HEATING APPLIANCE CHIMNEY MINIMUM 6 INCH DIAMETER FLUE.

PROVIDE 1/4 INCH PER FOOT RISE IN HORIZONTAL CHIMNEY CONNECTOR.



**PLAN SECTION VIEW**

NOTE: FOR CLARITY, THE FLOOR PROTECTOR AND THE MANTEL HEAT SHIELD ARE NOT SHOWN BY THIS PLAN VIEW.